

Armored Sink 23" x 17" – U/M



Kitchen Sinks

Code: 1233 660

AISI 304 Stainless steel

Satin finish

Undermount

x cross bending for easy water draining



DETAILS

Edge/Installation Type Undermount

Series Quadra Armored

Texture Satin

Material AISI 304 stainless steel

Thickness 16 Gauge (1.5 mm)

Overall dimensions 23" x 17 1/4"

Bowl dimension 1 bowl 21" x 15 3/4"

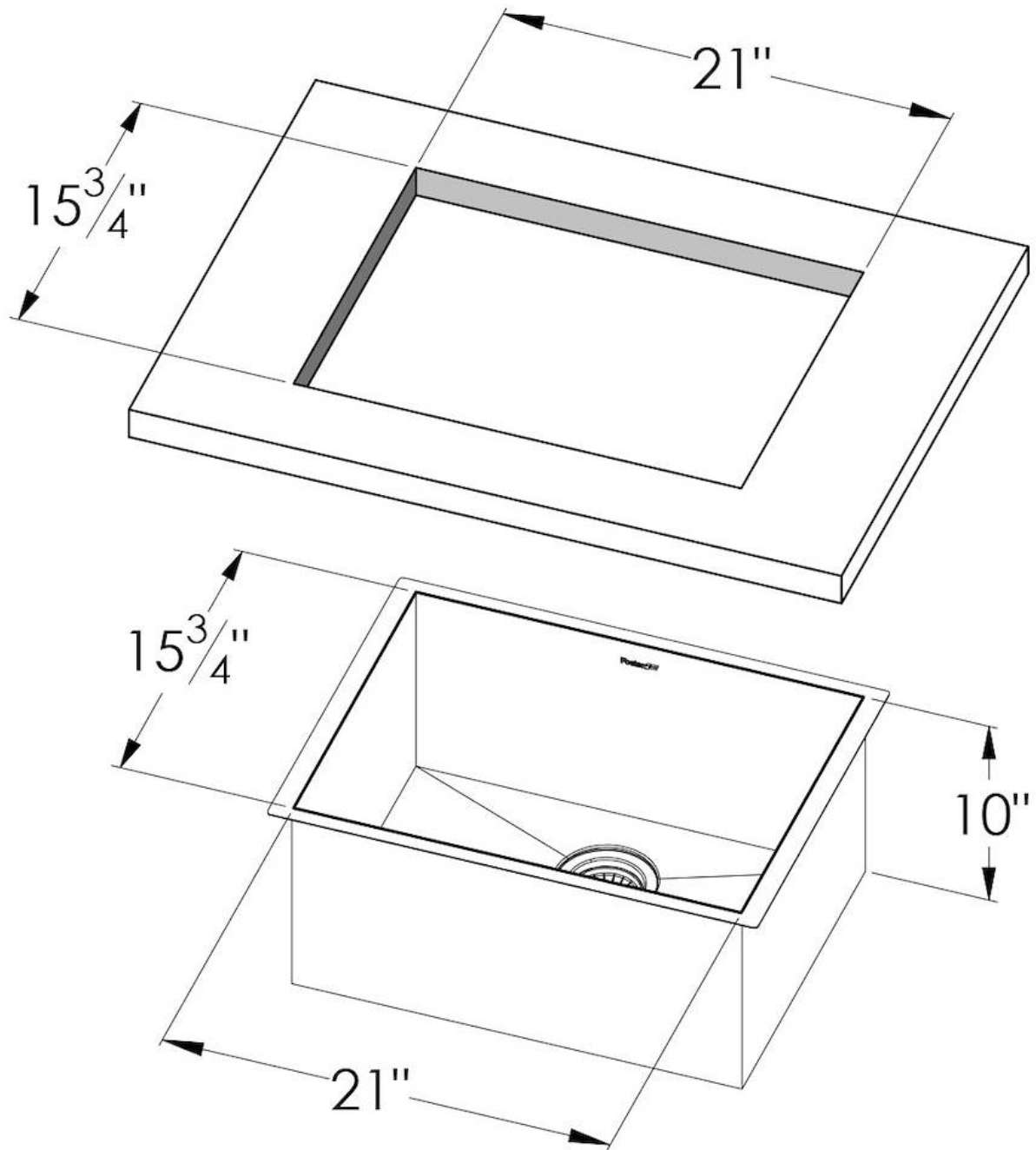
Bowls depth 10"

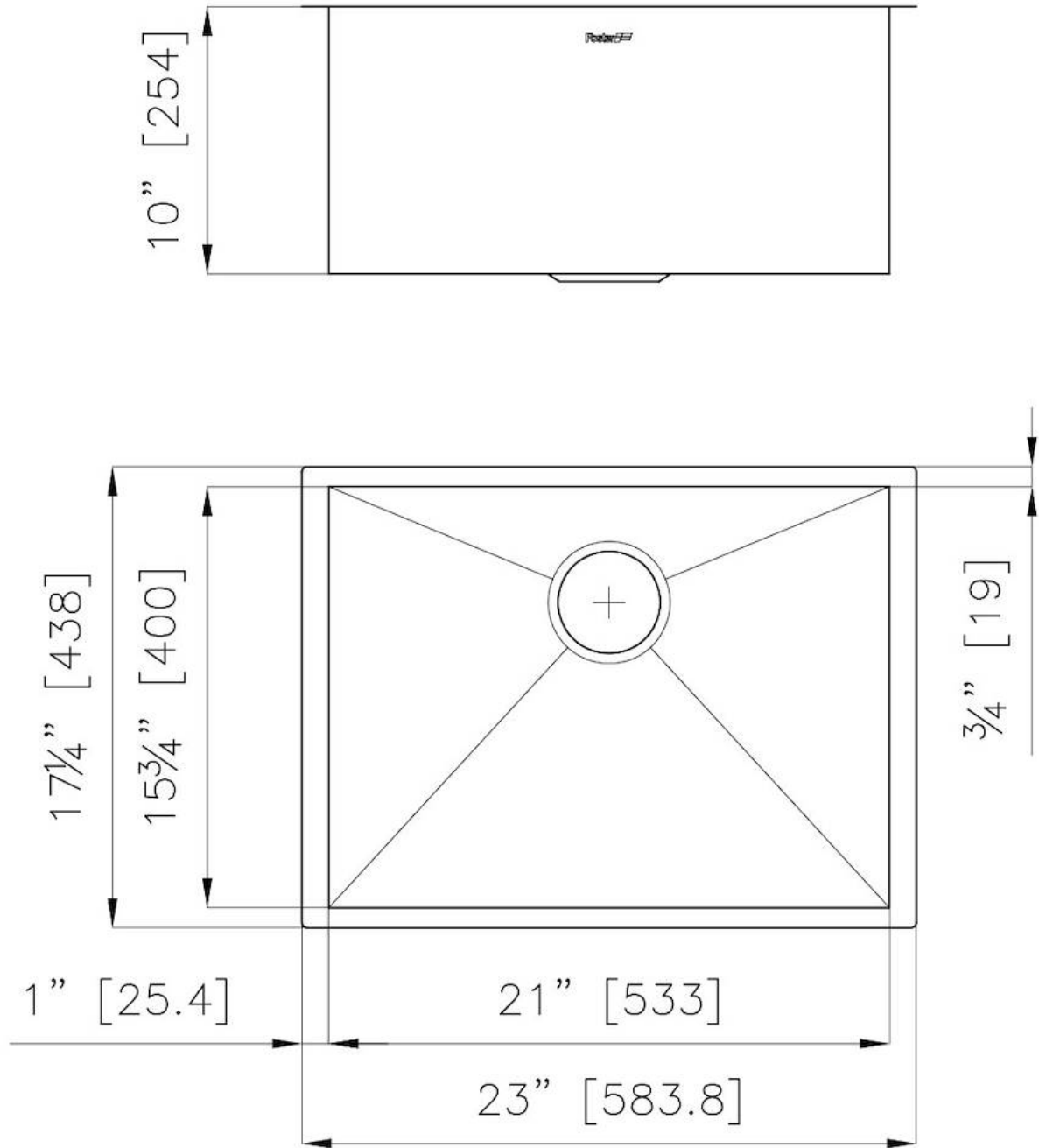
| | |
|--------------------|--|
| Cut out | 21" x 15 ^{3/4} " |
| Waste fitting type | 3 ^{1/2} " - with stainless steel basket |
| Bowls bottom | X cross bending for easy water draining |
| Underside | Protected with heavy duty undercoating |
| Fixing system | Undermount fixing kit (brass insert and clips) |

FEATURES

| | |
|---------------------------|--|
| Diamond-shape bottom | The draining of water is an important feature in a sink, and it's always taken good care of in Foster products. In the bent-welded sinks, which would have a flat bottom, the proper draining is guaranteed by the elegant beveling, which helps the water flow. |
| High thickness | 1.5 mm thick steel. A significant thickness, which guarantees the maximum sturdiness and durability. |
| Basket 3,5" waste fitting | The drain is equipped with a large 3.5" drain, with the practical basket cap that prevents the discharge of solid parts. |
| Deep bowls | This bowls reach an important depth, over 20 cm, thanks to the advanced production technology, that can be offer great capieny and practicity in all the washing operations. |

TECHNICAL DATA





OPTIONAL ACCESSORIES



Black grid
8100 617



Stainless steel plate rack
8100 201



Waste disposer throat
8669 043



**Iroko-wood sliding chopping board
with stainless steel colander**
8644 044



Chopping Board
8631 300



White bowl
8153 100

RECOMMENDED PAIRINGS



Faucet Ponza
8497 025



Faucet Sicilia
8485 005



Milano Cooktop 4 burners inLine
7640 900